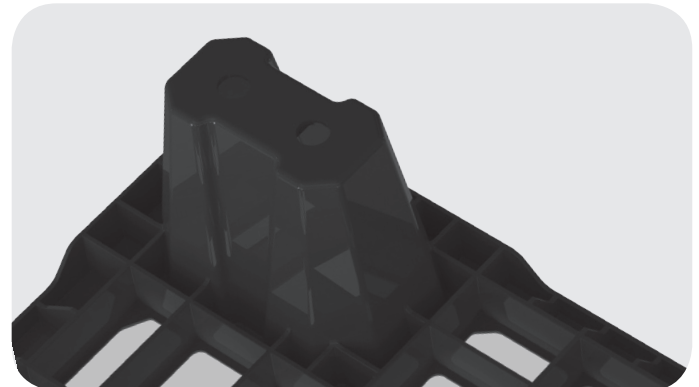
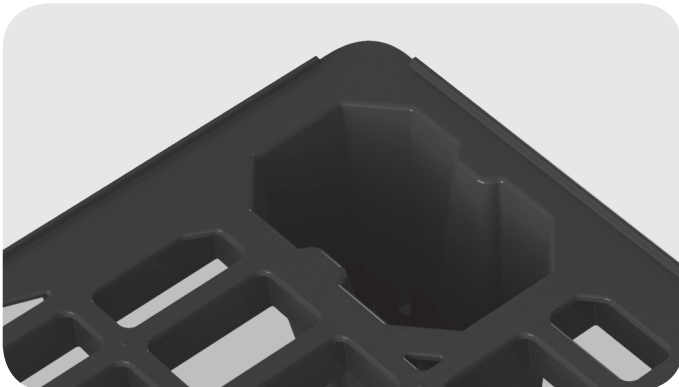


# Semi Pallet 220

PG220



- Ultra light pallet
- Spacious extra-wide forklift entry
- Strong legged structure
- Custom aviation safety requirements
- The ultimate nestable semi light pallet



# Specifications

DIMENSIONS		
Dimensions (L / W / H)	800 / 600 / 134 mm	31.5 / 23.62 / 5.27 in
LOGISTICS		
Weight	2.5 kg	5.51 LB
Maximum load Dynamic	500 kg	1,102 LB
Maximum load Static	1000 kg	2,204 LB
Pallets per stack (HC)	80	
Units per 20 / 40 / 40 HC	1,775 / 3,692 / 4,160	
MATERIAL		
Material	PE	
Color	Black	

\* Load capacities are based on evenly distributed loads and can vary according to the type of load.

## Technical Drawing (mm)

